

# JVX5300EJ/SJ/BJ

## GE® 30" Under the Cabinet Hood

### DIMENSIONS AND INSTALLATION INFORMATION (IN INCHES)

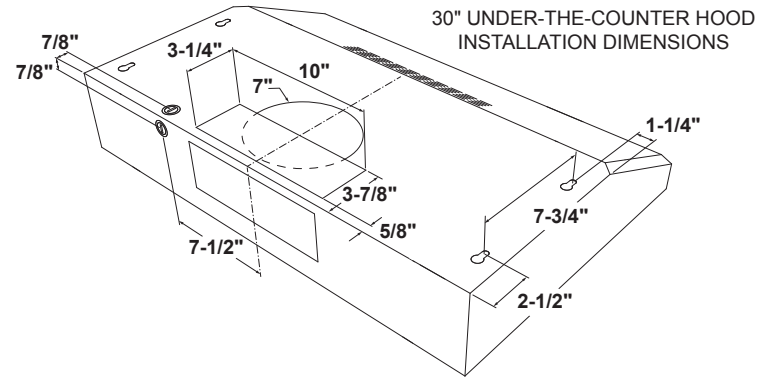
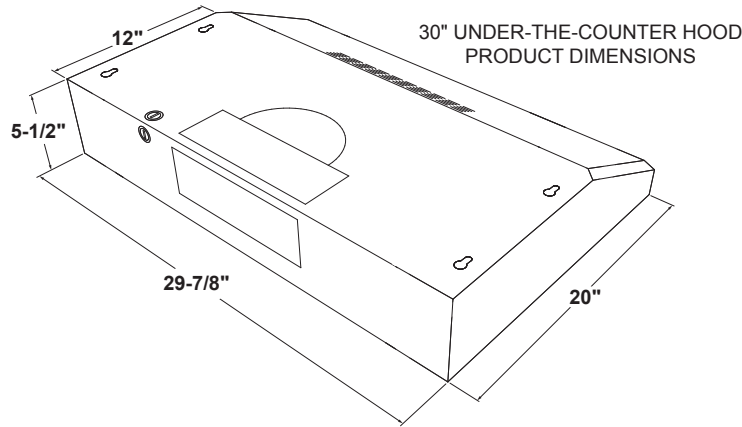
WB02X11537 replacement grease filter and JXCF55 replacement charcoal filter are available for additional cost. Call toll-free 800.626.2000.

**Installation Information:** Before installing, consult installation instructions, packed with product, for current dimensional data.

**Additional accessories:**

- JXS50SS 15" cabinet spacer
- UXRC70 remote control
- JXDA22 optional damper

AMP RATING	
120V	2.5



Exhaust outlet connects to 3-1/4" x 10" rectangular duct. Vent top or rear. Includes rectangular damper.



For answers to your GE Profile™ Series or GE Appliances product questions, visit our website at [geappliances.com](http://geappliances.com) or call GE Answer Center® Service, 800.626.2000.



Specification Revised 5/19

# JVX5300EJ/SJ/BJ

## GE® 30" Under the Cabinet Hood

### FEATURES AND BENEFITS

Easy installation – 10 minutes or less by one person

Four-speed with boost, 310 CFM venting system – Removes smoke, grease, odors and moisture

Electronic backlit controls – Add a sophisticated look with this up-front, easy-to-use display

Dual halogen lighting with nightlight – Enjoy better visibility with a brightly lit cooktop and surrounding surface

Auto-off – Set the vent hood to automatically shut off after 15 minutes

Convertible venting options – Select recirculating or external venting

Vertical and rear exhaust – Exhausts from the top or rear of the hood

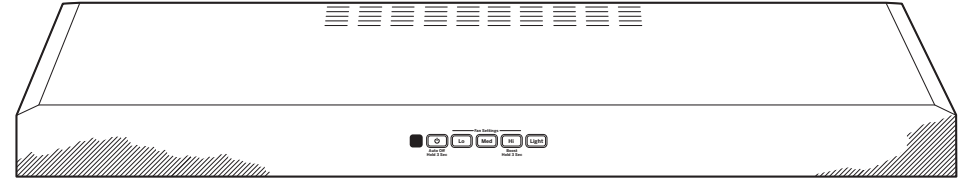
Appearance (Fully enclosed bottom) – Enjoy a sleek appearance from every angle

Optional remote control – Control your ventilation lighting and fan speed from anywhere in the kitchen

Model JVX5300SJSS – Stainless steel

Model JVX5300EJES – Slate

Model JVX5300BJTS – Black Stainless



CFM/SONES RATINGS	
Exhaust Boost Speed (BS)	310/7.0
Exhaust High Speed (HS)	260/5.5
Exhaust Medium Speed (MS)	170/3.0
Exhaust Low Speed (LS)	60/1.0

