

FFCD2418U S/W/B

DISHWASHER

24" BUILT-IN



AVAILABLE COLORS



Stainless



White



Black

PRODUCT DIMENSIONS

| | |
|----------------------|---------------|
| Height (Min. - Max.) | 33-1/2" - 35" |
| Width | 24" |
| Depth | 25" |

MORE EASY-TO-USE FEATURES

Multiple Cleaning Cycle Options

Features easy-to-use cleaning cycle options for your different cleaning needs including Energy Saver, 1-Hour, Normal Wash and Heavy Wash.

ENERGY STAR®-Certified

Maximize your energy and dollar savings with ENERGY STAR® Certified Appliances.

Time-Saving 4-Hour Delay Start

Set your dishwasher to run on your schedule. It can be set to run 4 hours in advance.

Quiet Operation Won't Run You Out Of The Room

Run your dishwasher while you're in the same room. It runs at 55 dBAs.

Cycle Status Indicators

Know when your dishes are washing, drying and clean with the status indicators.

Filtration System

Self-cleaning filter eliminates food particles, keeping dishes clean.

Stay-Put Door Allows For Easier Loading

The door stays put at whatever angle you open it for easy loading and unloading.

Durable Polymer Wash Tub

Supports the drying process, keeping dishes dry the first time.

Built with American Pride

Designed, engineered and assembled in the U.S.A.

SIGNATURE FEATURES

A Thorough Clean Every Time

Three separate spray arms give your dishes the ultimate clean every time.

National Sanitation Foundation® Certified

Sanitize cycle removes 99.9% of common household bacteria.

Fits up to 14 Place Settings

Cleans 14 place settings in one cycle.

Heated Drying System

Heating element helps dry your dishes the first time.

CERTIFICATIONS

ENERGY STAR®



NSF® International Certification



NSF Protocol for Certification and Cleaning Performance of Residential Sump-Type Dishwashers 19997

FFCD2418U S/W/B DISHWASHER

FRIGIDAIRE

24" BUILT-IN

FEATURES

| | |
|-------------------------------|-----------------|
| Control Design | Ready-Select® |
| Door Latch | Yes |
| Stay-Put Door Hinge Design | Yes |
| Low Rinse-Aid Indicator Light | Yes |
| Interior Color | Greystone |
| Interior Design | Tall Tub |
| Wash System | Direct Feed |
| Wash Levels | 5 |
| Wash Speeds | 5 |
| Sound Package | UltraQuiet™ III |
| Filter | Poly |
| Filter Trap | Removable |
| Food Disposer | Hard |
| dB Level | 55 |
| Drying System | Heated Dry |

CYCLES

| | |
|-----------------------|-----|
| Number of Cycles | 5 |
| PowerPlus™ (Heavy) | Yes |
| Normal | Yes |
| Light (1-Hour) | Yes |
| Rinse Only | Yes |
| Energy Saver Plus | Yes |
| Cycle Indicator Light | Yes |
| Control Lock | Yes |

OPTIONS

| | |
|-------------------------------|---------|
| Heat | Yes |
| No Heat Dry | Yes |
| Hi-Temp Wash | Yes |
| NSF® Certified Sanitize Rinse | Yes |
| Delay Start | 4 Hours |

RACK SYSTEM

| | |
|--------------|----------|
| Rack Design | Standard |
| Rack Coating | PVC |

Lower Rack -

| | |
|------------------------------|----------|
| SpaceWise® Silverware Basket | Standard |
|------------------------------|----------|

Upper Rack -

| | |
|-------------|--------|
| Rack Type | Better |
| Cup Shelves | Yes |

CERTIFICATIONS

| | |
|----------------------------------|-----|
| ENERGY STAR® | Yes |
| NSF® International Certification | Yes |

SPECIFICATIONS

| | |
|---|--------------------|
| Water Inlet Location | Left Bottom Front |
| Water Usage (Gallons) | 6.0 |
| Water Pressure (PSI) | 20 - 120 |
| Integral Air Gap on Supply | Yes |
| Leveling Legs | Yes |
| Power Supply Connection Location | Right Bottom Front |
| Voltage Rating | 120V / 60 Hz / 15A |
| Connected Load (kW Rating) @ 120 Volts ¹ | 1.44 |
| Amps @ 120 Volts | 10.0 |
| Shipping Weight (Approx.) | 83 Lbs. |

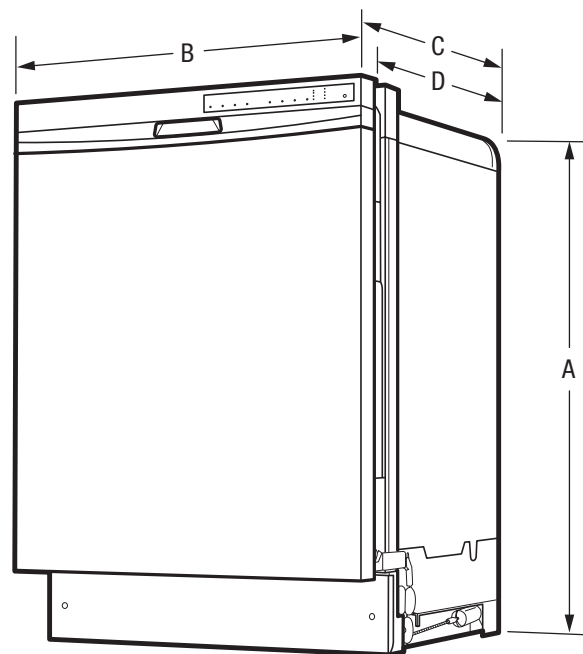
¹For use on adequately wired 120V, dedicated circuit having 2-wire service with a separate ground wire. Appliance must be grounded for safe operation.

PRODUCT DIMENSIONS

| | |
|--------------------------|---------------|
| A - Height (Min.-Max.) | 33-1/2" - 35" |
| B - Width | 24" |
| C - Depth | 25" |
| Depth with Door Open 90° | 49-1/4" |

CUTOUT DIMENSIONS

| | |
|---------------|---------|
| Height (Min.) | 33-1/2" |
| Height (Max.) | 35-1/4" |
| Width (Min.) | 24" |
| Depth (Min.) | 25" |

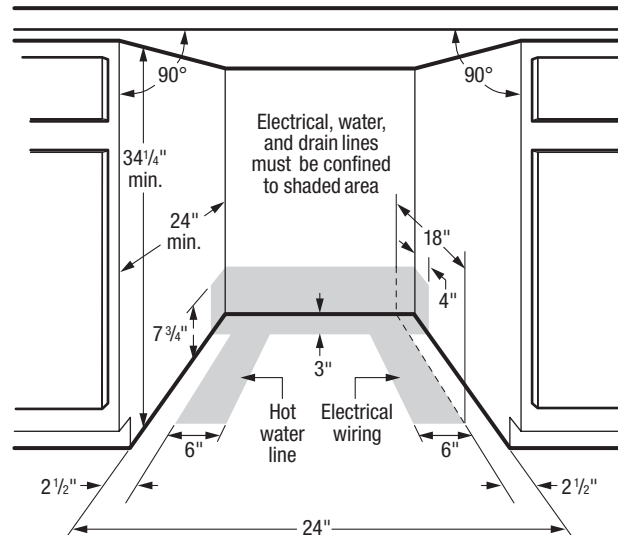
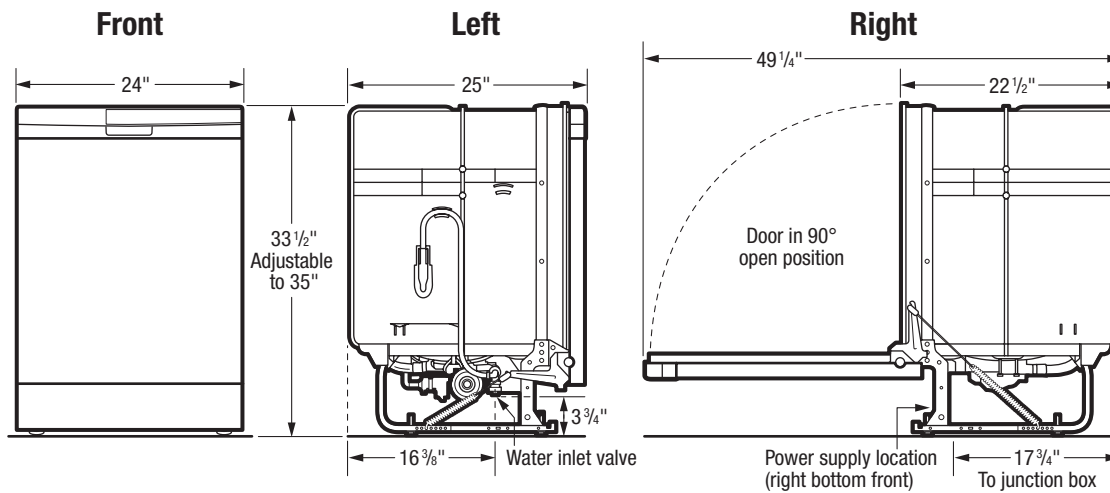


Note: For planning purposes only. Always consult local and national electric, gas and plumbing codes. Refer to Product Installation Guide for detailed installation instructions on the web at frigidaire.com / frigidaire.ca. Specifications subject to change. Accessories information available on the web at frigidaire.com / frigidaire.ca

FRIGIDAIRE

USA • 10200 David Taylor Drive • Charlotte, NC 28262 • 1-800-FRIGIDAIRE • frigidaire.com
CANADA • 5855 Terry Fox Way • Mississauga, ON L5V 3E4 • 1-800-265-8352 • frigidaire.ca

FFCD2418U 07/18
© 2018 Electrolux Home Products, Inc.



INSTALLATION SPECIFICATIONS

- Product Shipping Weight (approx.) – 83 Lbs.
- Voltage Rating – 120V / 60 Hz / 15 Amps (maximum 20 Amps if connected with disposer)
- Connected Load (kW Rating) @ 120 Volts = 1.44 kW (For use on adequately wired 120V, dedicated circuit having 2-wire service with a separate ground wire. Appliance must be grounded for safe operation.)
- Amps @ 120V = 10 Amps
- Always consult local and national electric & plumbing codes. Meets requirements of ASSE 1006—integral air gap on supply.
- Water Pressure – Hot water line to dishwasher must provide between 20 and 120 pounds per square inch (psi) with at least 120°F hot water temperature.
- Make sure location has correct drain, water and electrical outlets to make connections—MUST be confined to shaded areas.
- Electrical and water supplies should enter cabinet opening on floor, or through back or side walls, as shown in shaded areas.
- Keep back free of drain, water & electrical supply.
- Connections preferably located toward left side of dishwasher. Do not cross drain, water or electrical lines in front of motor, blower or frame.
- If connecting drain hose to sink trap, local code may require installation of Air Gap Kit (not included).
- Leveling legs supplied to adjust height. (Note: Height only adjustable to 35-3/4" max. when installed in 35-3/4" max. standard cabinetry cutout. 5/16" min. clearance required from top of unit to underside of countertop. Dimensions do NOT include insulation — insulation blanket may be compressed during installation.)
- When installing adjacent to wall, cabinet or other obstruction that extends beyond front edge of unit, allow 2" minimum clearance between opened door and obstruction.
- Floor should be flat and free of obstructions with carpet removed to provide motor clearance.
- When installing at end of cabinet line, sides and back must be fully enclosed.
- Do not install unit under a cooktop, damage will occur.
- Recommended to seal cabinets, enclosing all sides of dishwasher, including underside of countertop, with oil-based paint or moisture-proof polyurethane to prevent possible steam/moisture damage.



Note: For planning purposes only. Always consult local and national electric, gas and plumbing codes. Refer to Product Installation Guide for detailed installation instructions on the web at frigidaire.com / frigidaire.ca. Specifications subject to change. Accessories information available on the web at frigidaire.com / frigidaire.ca

FRIGIDAIRE

USA • 10200 David Taylor Drive • Charlotte, NC 28262 • 1-800-FRIGIDAIRE • frigidaire.com
CANADA • 5855 Terry Fox Way • Mississauga, ON L5V 3E4 • 1-800-265-8352 • frigidaire.ca

FFCD2418U 07/18

© 2018 Electrolux Home Products, Inc.